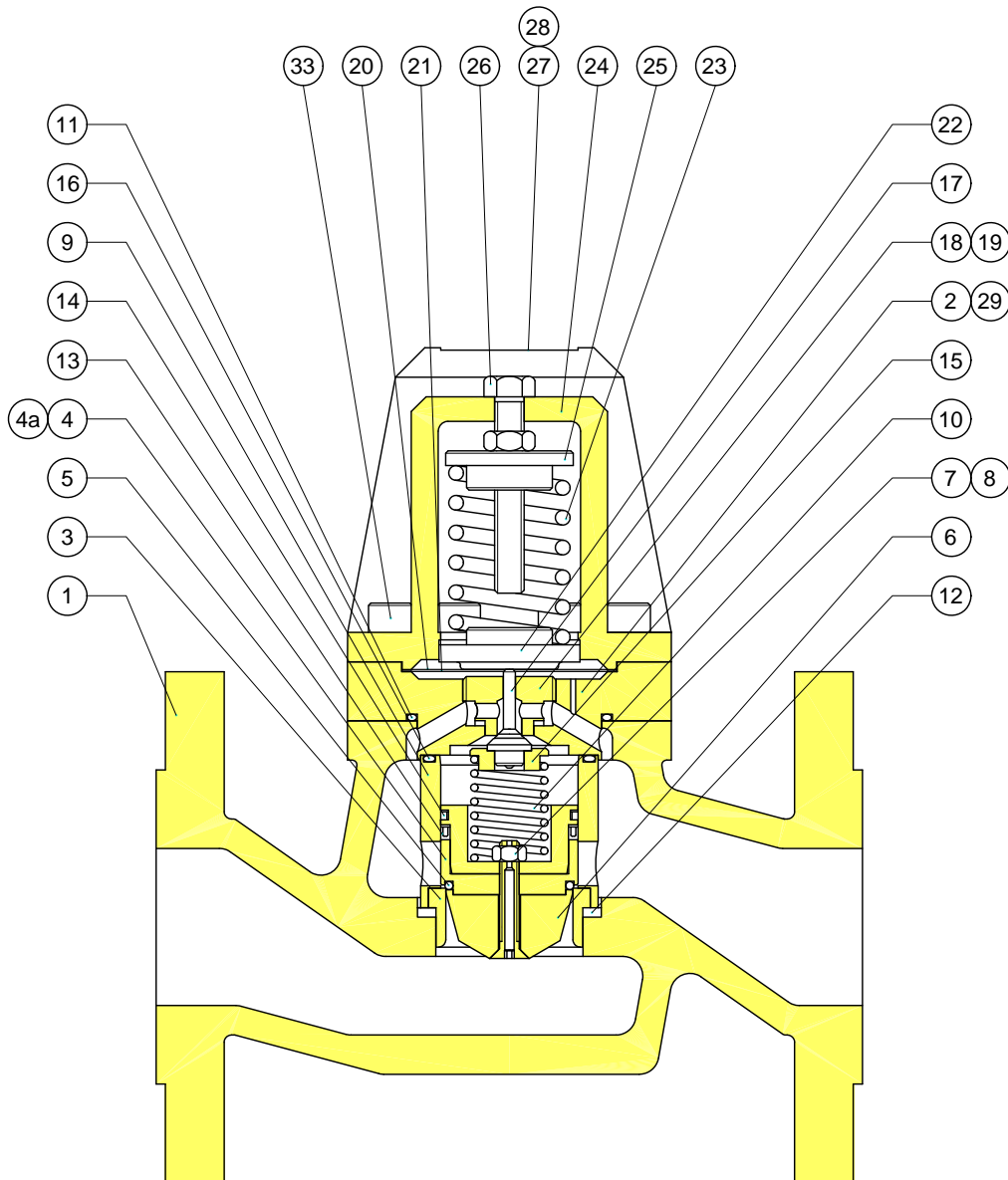


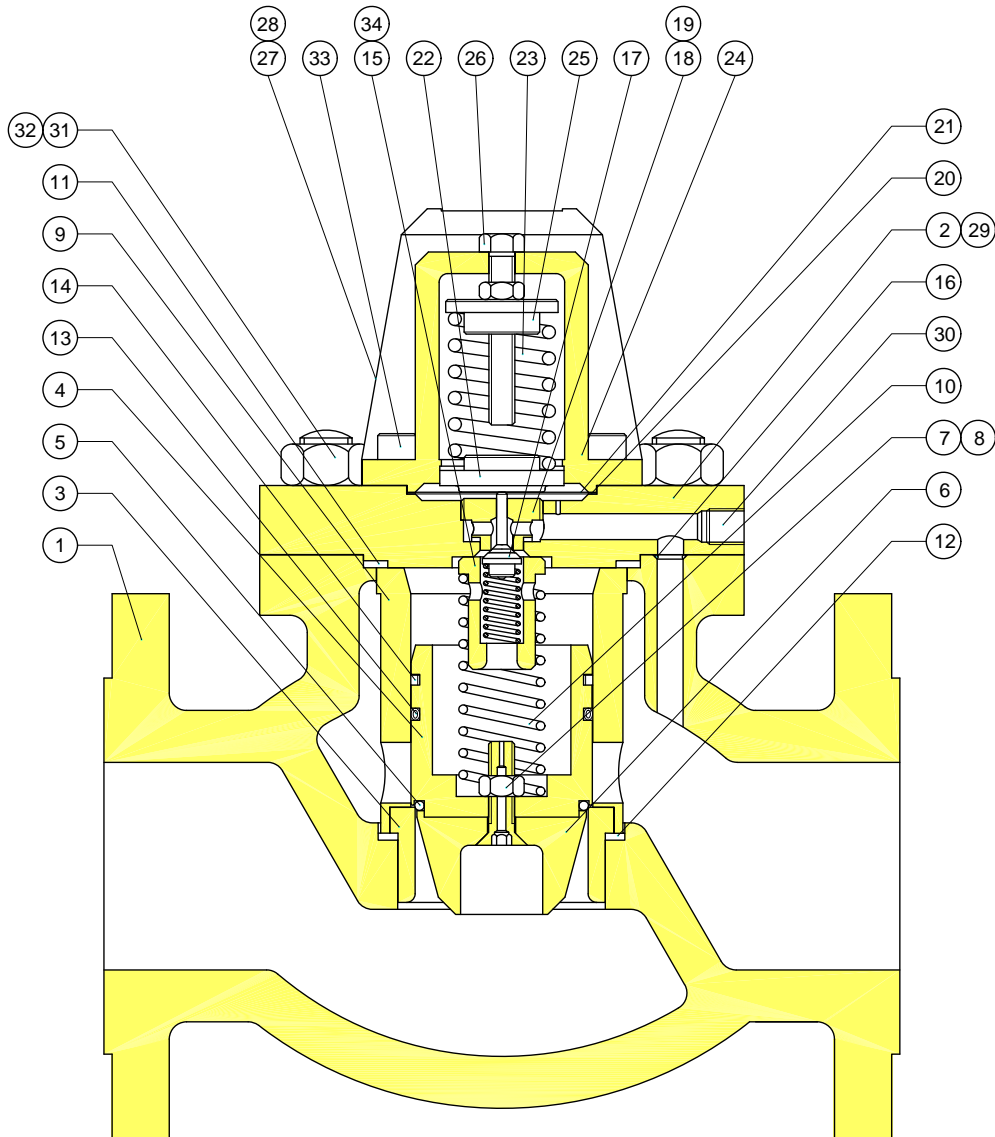
Standfast reducing spares (up to 50mm)



Routine service pack	Item No	Complete repair pack	Item No
Soft face	5	Routine service pack +	
Cover seal	11	MV seat	3
Seat gasket	12	Piston body	4
Piston seal	13	Piston cap	6
Piston ring	14	Hollow screw	7
Guide seal	16	Locknut	8
PV diaphragm	20	Guide tube	9
PV gasket	21	MV spring	10
PV plug	17	MV spring cap	15
		PV seat	18
		PV seat sealing ring	19
		PV piston	22

Auld recommend changing the Routine service pack annually and the Complete repair pack every two to five years.

Standfast reducing spares (65mm and above)



Routine service pack	Item No	Complete repair pack	Item No
Soft face	5	Routine service pack +	
Cover gasket	11	MV seat	3
Seat gasket	12	Piston body	4
Piston seal	13	Piston cap	6
Piston ring	14	Hollow screw	7
Port seal	16	Locknut	8
PV diaphragm	20	Guide tube	9
PV gasket	21	MV spring	10
PV plug	17	MV spring cap	15
		PV seat	18
		PV seat sealing ring	19
		PV piston	22

Auld recommend changing the Routine service pack annually and the Complete repair pack every two to five years.

Items available individually

Part	Item No
Alternative piston cap	6
Guide	9
Diaphragm and gasket	20/21
PV spring	23